

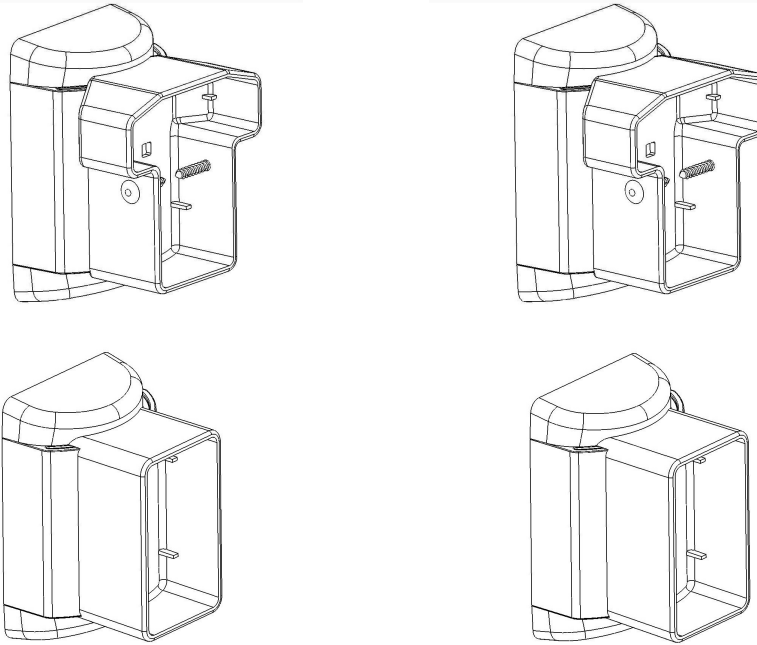
Angle Wizard Porch T- Rail Instructions

Important Information Before you Start

These installation guidelines will direct you through the process of installing the Angle Wizard Porch brackets. Most contractors will find this process very similar, if not identical to the installation of a regular porch rail system. There are, however, certain areas that you will want to pay closer attention to.

This sheet depicts installation methods that have been proven successful and are therefore recommended by the manufacturer. Please keep in mind that they may not cover every installation scenario you may encounter. Since each installation is unique in its performance requirements, the ultimate installation method used is the sole responsibility of the installer.

The Manufacturer disclaims any liability or responsibility for the improper installation of this product. The purchaser is solely responsible for compliance with applicable local codes as to the deck's or railing's intended use. The Manufacturer recommends that all designs be reviewed by a licensed architect, engineer or local building official before installation.



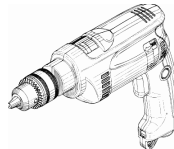
Tools Required for Installation



Tape Measure



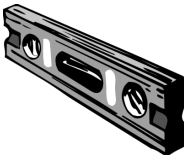
Pencil



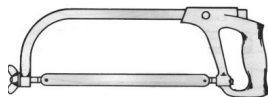
Drill



#2 square Screwdriver



Level



Hack Saw

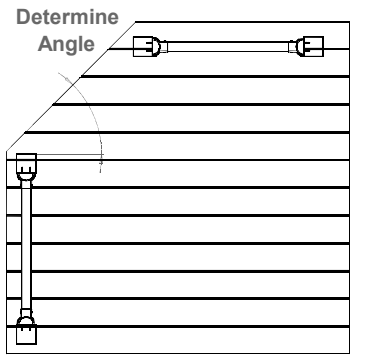


Miter Saw

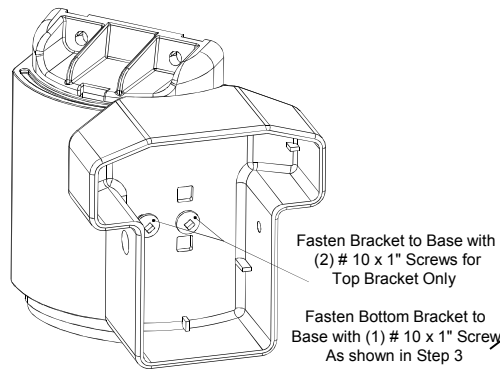


Rubber Mallet

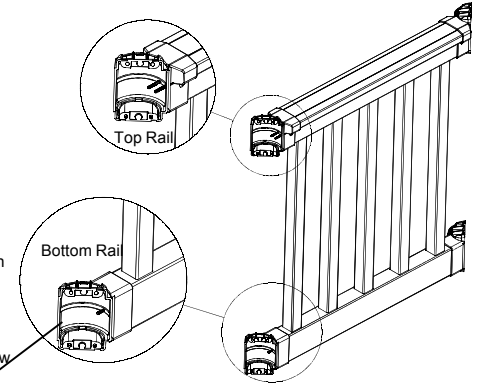
Step 1: After posts has been installed determine angle and height of railing



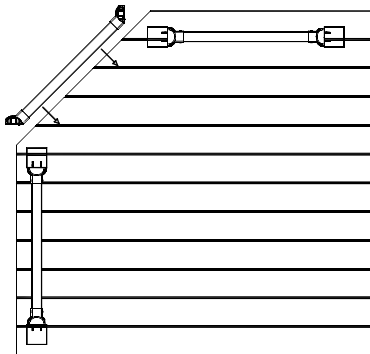
Step 2: Pre-drill 1/8" diameter holes in base, then fasten bracket at the determined angle.



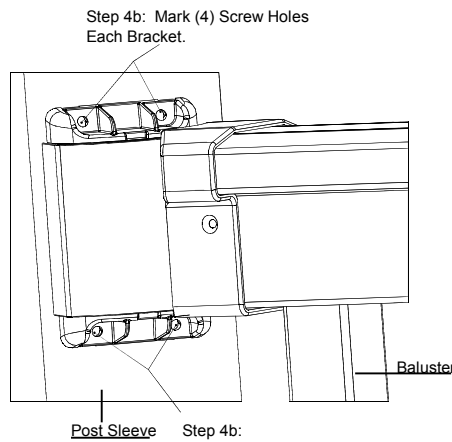
Step 3: Cut railing to desired length. Place bracket on each end of top and bottom rails.



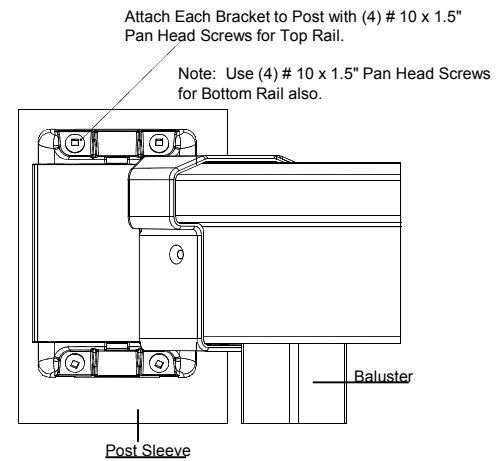
Step 4: Position the rail section between the posts.



Step 4b: Mark (4) screw hole locations on each bracket. Set rail section aside, then pre-drill 1/8" diameter holes in post at each mark.

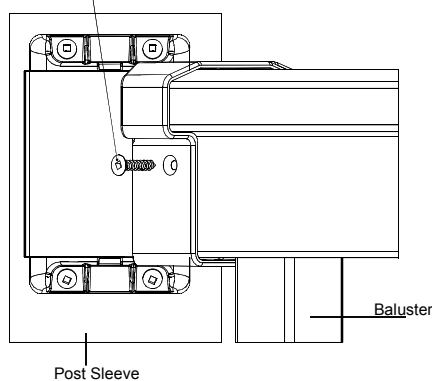


Step 5: Attach each top rail bracket with (4) # 10 x 1.5" screws.

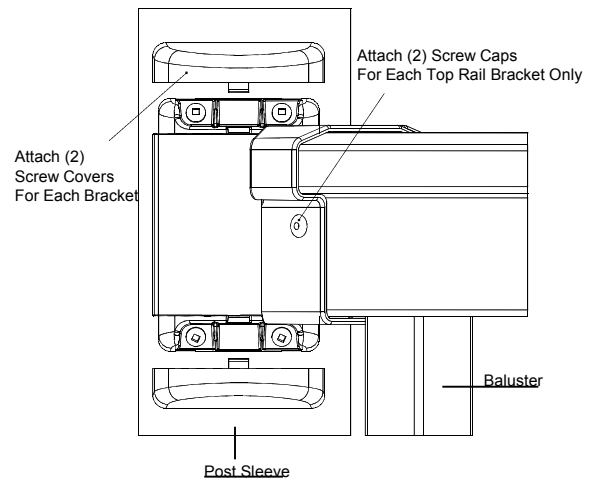


Step 6: Pre-drill (1) 1/8" diameter hole through top rail and aluminum insert for each side of **top rail brackets only**. Fasten with # 10 x 1" flat head screws.

#10 x 1" Flat Head Screws for Each Side of Top Rail Bracket.



Step 7: Add (2) screw covers for both top and bottom brackets. Add (2) screw caps for each top rail brackets.



Special Note:

Top Bracket uses (4) # 10 x 1.5" Screws,
(2) #10 X 1" Flat Head Screws &

(2) # 10 x 1" Screws

Bottom Bracket uses (4) # 10 x 1.5" Screws &
(1) # 10 x 1" Screws

Note:

Repeat installation process for each additional rail assembly.
Top Bracket shown only.