

FOOT BLOCK KIT INSTALLATION INSTRUCTIONS

Figure 1

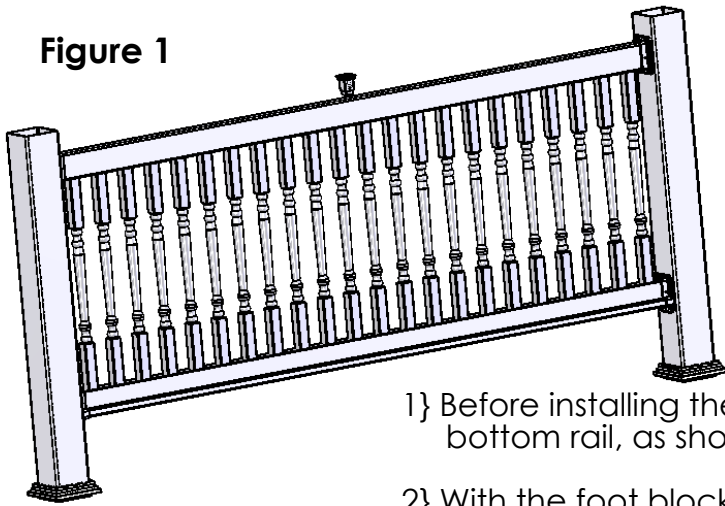
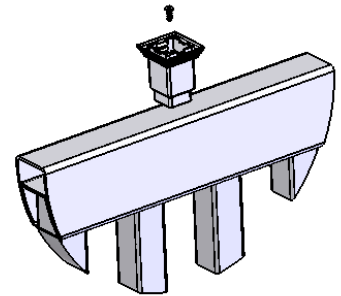


Figure 2



1} Before installing the railing section, center the foot block on the bottom rail, as shown in Fig. 1.

2} With the foot block in its collapsed state, mount it to the bottom rail using the supplied screw, as shown in Fig. 2.

Figure 3

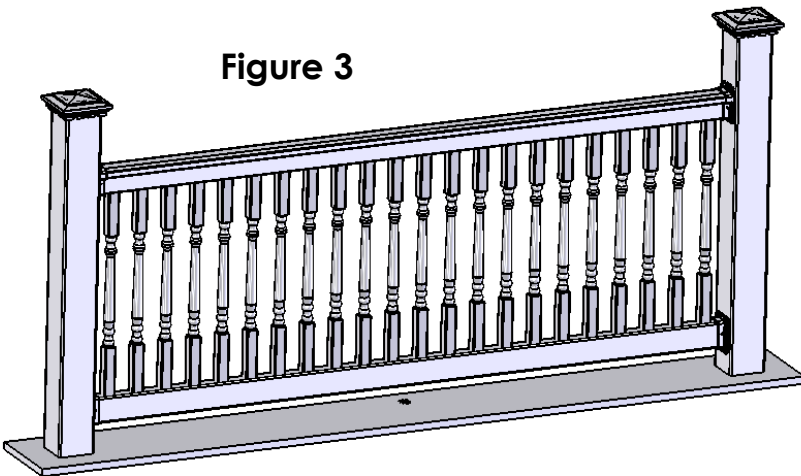
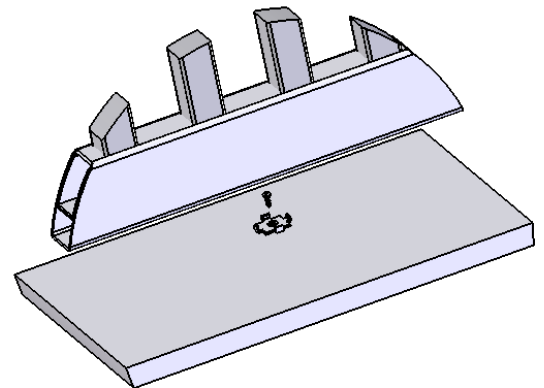


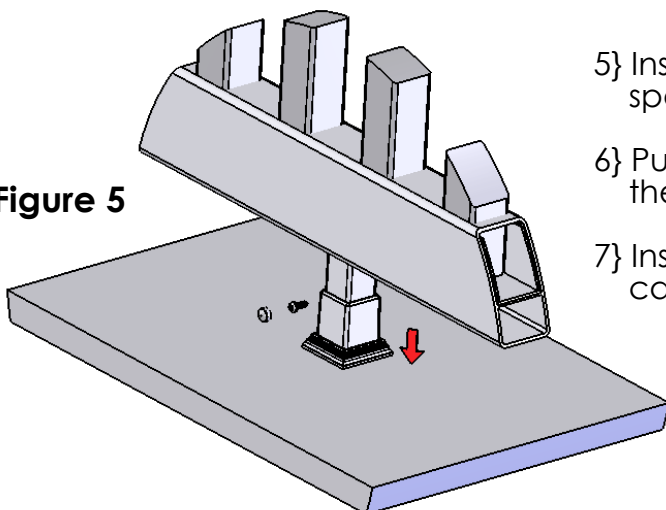
Figure 4



3} Center the mounting plate on the decking surface so that it will be in line with the foot block installed on the bottom rail, as shown in Fig. 3.

4} Screw the mounting plate to the deck using the supplied screw, as shown in Fig. 4.

Figure 5



5} Install the railing section as per the manufacturer's specifications.

6} Pull down on the foot block until it sits flush with the decking surface, as shown in Fig. 5.

7} Install the supplied retaining screw and snap cap into the side of the foot block, as shown in Fig. 5