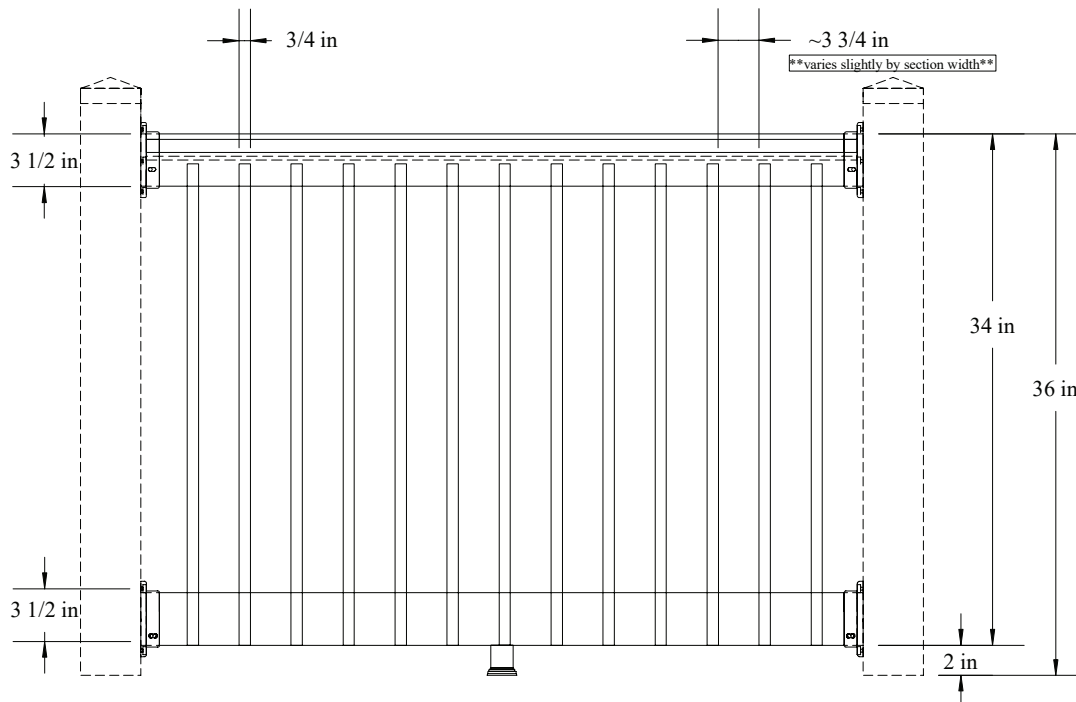


T-rail w/ Square and Round Black Aluminum



THIS DRAWING IS CONFIDENTIAL AND THE PROPERTY OF SOUTHERN VINYL MANUFACTURING, LLC



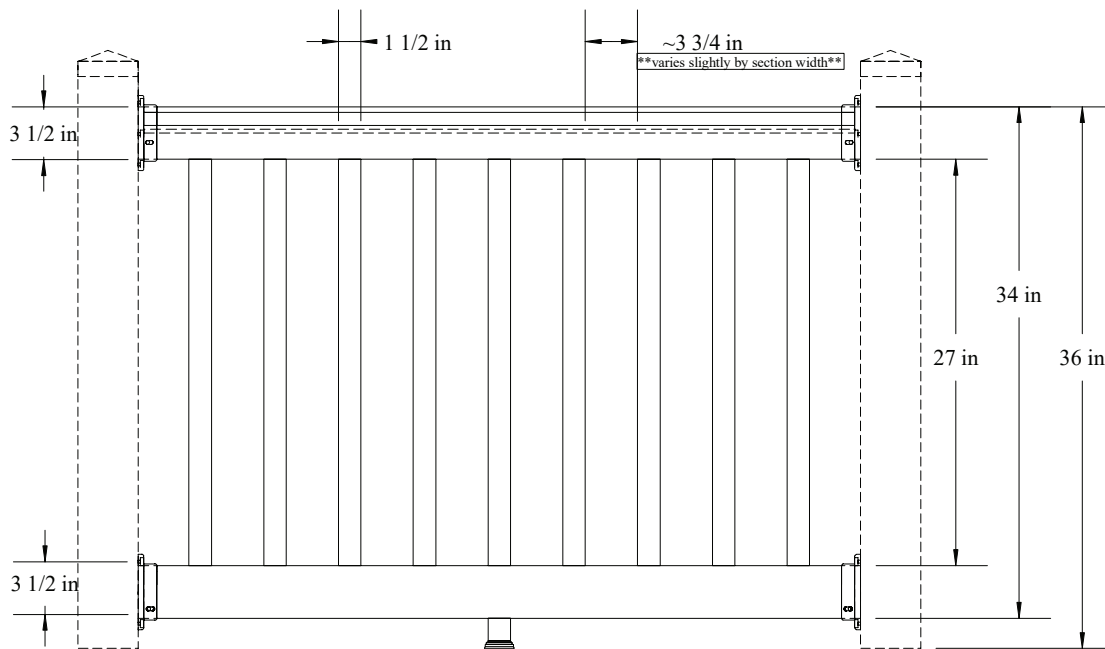
	Rail	Picket
4'W	2 - 47 3/4"	13 - 32"
6'W	2 - 71 3/4"	15 - 32"
8'W	2 - 95 3/4"	20 - 32"
10'W	2 - 119 3/4"	25 - 32"

Tolerances Unless otherwise specified:
Fractions: +/- 1/8"
Decimals: +/- .125"

T-rail w/ Square and Colonial Picket



THIS DRAWING IS CONFIDENTIAL AND THE PROPERTY OF SOUTHERN VINYL MANUFACTURING, LLC



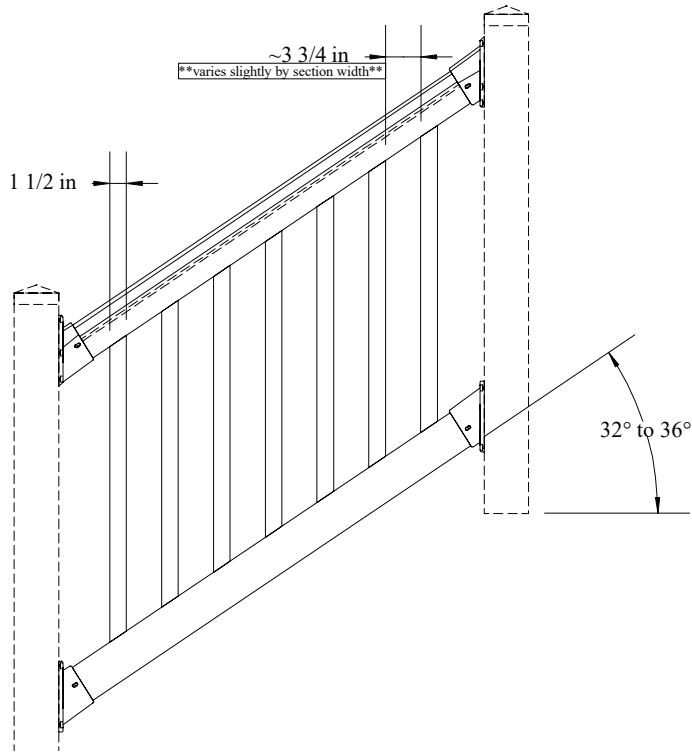
	Rail	Picket
4'W	2 - 47 3/4"	9 - 32"
6'W	2 - 71 3/4"	13 - 32"
8'W	2 - 95 3/4"	18 - 32"
10'W	2 - 119 3/4"	22 - 32"

Tolerances Unless otherwise specified:
 Fractions: +/- 1/8"
 Decimals: +/- .125"

T-rail w/ 1.5" Square and Colonial Picket



THIS DRAWING IS CONFIDENTIAL AND THE PROPERTY OF SOUTHERN VINYL MANUFACTURING, LLC



	Rail	Picket
4'W	2 - 47 3/4"	7 - 32"
6'W	2 - 71 3/4"	11 - 32"
8'W	2 - 95 3/4"	15 - 32"
10'W	2 - 119 3/4"	19 - 32"

Tolerances Unless otherwise specified:
 Fractions: +/- 1/8"
 Decimals: +/- .125"